



# 30 dB Bi-directional Coupler, 500 Watt 2 - 32 MHz

CH-130-4

V2.00

## Features

- High Power Handling Capability – 500 Watts
- Very Low Insertion Loss – 0.1 dB Max
- Low VSWR – 1.1:1 Max

## Guaranteed Specifications\*

(-55°C to +85°C)

<b>Frequency Range</b>	2-32 MHz
<b>Coupling (Input to Output)</b>	30 ± 0.5 dB
<b>Coupling Flatness</b>	± 0.25 dB Max
<b>VSWR (All Ports)</b>	1.1:1 Max
<b>Directivity (Both Directions)</b>	25 dB Min
<b>Main Line Loss</b>	0.1 dB Max

## Operating Characteristics

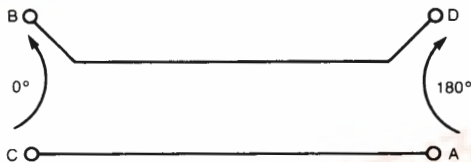
**Input Power** 500 Watts Max

### Environmental

MIL-STD-202 screening available.

\* All specifications apply with 50 ohm source and load impedance.  
This product contains elements protected by United States Patent Number 3,426,298.

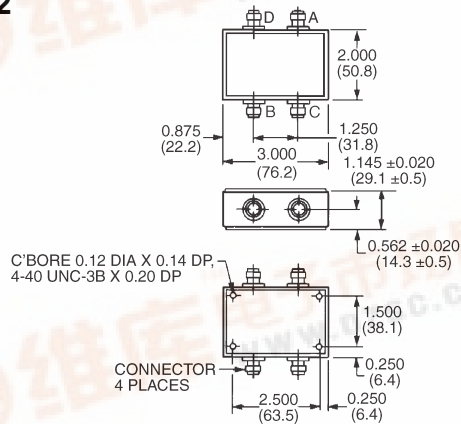
## Functional Diagram



## Ordering Information

Part Number	Package
CD-130-4 N	Connectorized
CD-130-4 TNC	Connectorized
CD-130-4 BNC	Connectorized
CD-130-4 SMA	Connectorized

## C-12



Dimensions in ( ) are in mm.

Unless Otherwise Noted: .xxx = ±0.015

(.x = ±0.4)

WEIGHT (APPROX): 10 OUNCES 283 GRAMS



Typical Performance

